



Thomas Research Products

Innovative & Energy Saving Lighting Controls

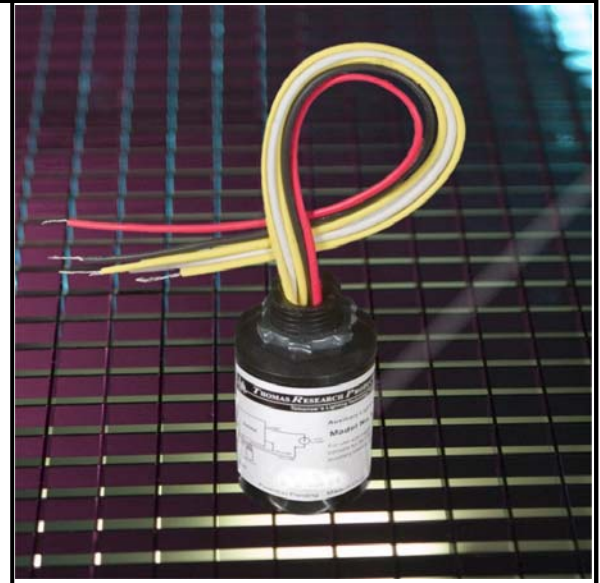
BSP-120 / BSP-277 / BSP-347 / BSP-480 Ballast Surge Protectors - Basic

The BSP series of products are designed to be used in conjunction with electronic fluorescent and HID ballasts and LED Drivers to provide an additional level of surge and transient protection in industrial and commercial applications

Features

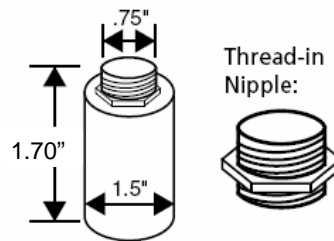
Model	Clamping Voltage	Surge Rating
BSP-120	150	120 J
BSP-277	320	372 J
BSP-347	420	320 J
BSP-480	550	360 J

- ◆ BSP-120 is for use on 120V ballasts/drivers
- ◆ BSP-277 is for use on 277V or Universal Voltage ballasts/drivers
- ◆ BSP-347 is for use on 347V ballasts/drivers
- ◆ BSP-480 is for use on 480V ballasts/drivers
- ◆ Surge current rating = 10,000 Amps using industry standard 8/20 uSec wave
- ◆ High temperature, flameproof plastic enclosure, 85°C maximum surface temp rating
- ◆ Thermally Protected Transient Overvoltage Circuit

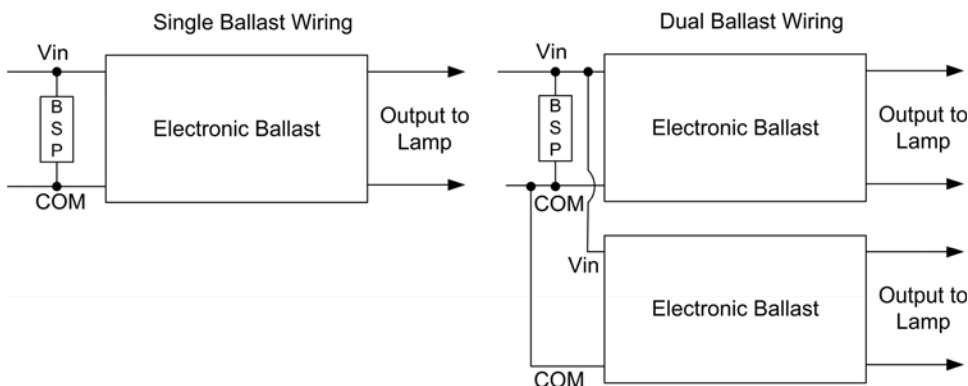


Dimensions

Body: 12" leads, stripped 0.63"



Wiring



10-12-09