

Thomas Research Products

Innovative & Energy Saving Lighting Controls

ESP-125 Quartz Restrike System

The ESP-125 is a traditional 120V control that incorporates a current sense circuit that automatically lights a quartz lamp when the main HID lamp is extinguished.

Features

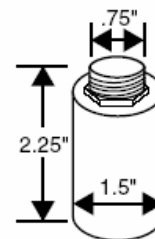
- ◆ For magnetic ballasts with a 120V tap or input
- ◆ 50/60 Hz Operation
- ◆ Compact and simple to wire
- ◆ Measures the current drawn by the HID circuit rather than voltage across the circuit allowing use with virtually any type of lamp or ballast circuit
- ◆ Operates on HID circuits from 39-1500 watts
- ◆ Operates auxiliary lamps up to 500W
- ◆ Non arcing switches allow the ESP-125 to be used in Class 1, Division II vapor tight fixtures
- ◆ Can be wired directly to emergency generator power
- ◆ High temperature, flameproof plastic enclosure, 105°C maximum surface temp rating
- ◆ Individual Carton (-IC) includes mounting bracket and wiring instructions for Distributors and End-Users
- ◆ Patent Pending



Dimensions

ESP-125

Body: 12" leads, stripped 0.63"

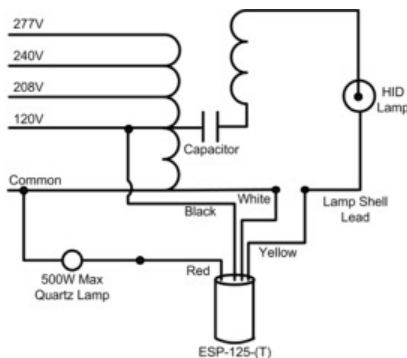


Thread-in Nipple:

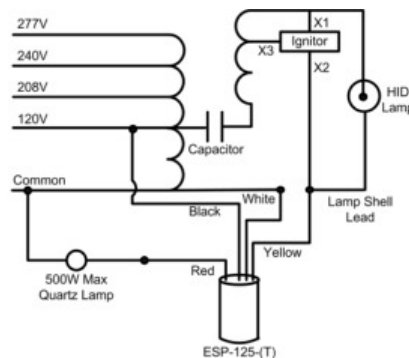


Wiring

Wiring Circuit - No Ignitor



Wiring Circuit - Ignitor Based HID



10-20-09