

Thomas Research Products

Innovative & Energy Saving Lighting Controls

25W TRC Series—Long Life Switch Mode LED Drivers - Constant Current Long Life Model

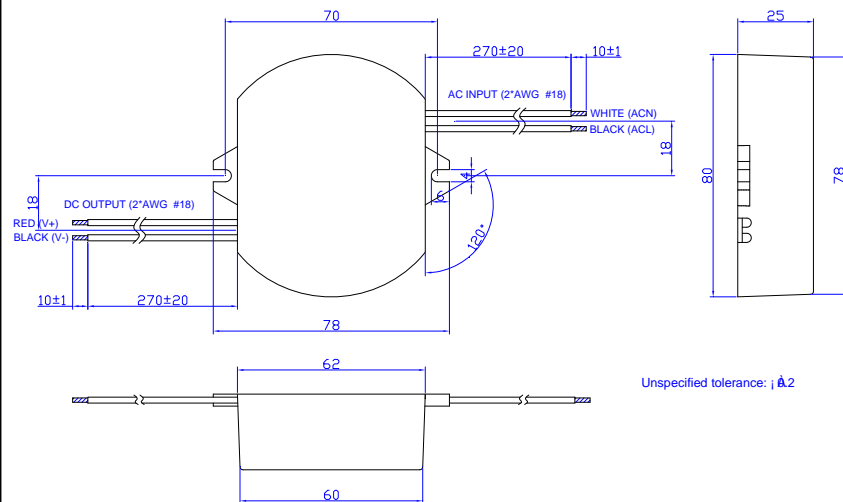
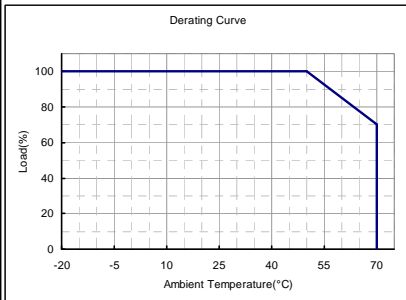
Total Power: 25 Watts
Input Voltage: 90-305 VAC, 50/60 Hz
High Efficiency - 80% to 85%
Active Power Factor Correction - 94 to 99%
Waterproof IP66 Compliant
Input and Output Protection
UL 8750 and EN61347 Certified

Electrical Specifications

Input Voltage Range: 90 - 305 VAC - 47 to 63 Hz
Power Factor: 99% @ 110 VAC, 94% @ 220 VAC
Input Current: 0.32 A @ 110 VAC, 0.15 A @ 220 VAC
Inrush Current: 20 A at 230 VAC, 25°C Cold Start
Efficiency: 80-85% typical at maximum load
Line Regulation: 2%
Load Regulation: 5%
Protection: Output Over-Voltage, Output Over-Current, Output Short Circuit Protection with Auto Recovery

Environmental Specifications

Operating Temperature: -20°C to +70°C - 10% to 100% Relative Humidity
Derating 1.5% per °C from 50°C to 70°C
Maximum Case Temp. 90°C
Storage Temperature: -40°C to +85°C
Cooling: Convection
MTBF: 484,000 Hours @ 25°C, 80% Load, 110VAC on 2080 mA output model (MIL-HDBK-217F)
Lifetime: 79,000 Hours @ 45°C, 80% Load, 110VAC on 2080 mA output model



Output Current	Output Voltage Range	Max Output Power	Typical Efficiency Full Load, 220 VAC	Part Number
350 mA	24-72 VDC	25W	84%	TRC-025S035PS
450 mA	19-56 VDC	25W	84%	TRC-025S045PS
620 mA	13-40 VDC	25W	83%	TRC-025S062PS
700 mA	12-36 VDC	25W	83%	TRC-025S070PS
1050 mA	8-24 VDC	25W	82%	TRC-025S105PS
1400 mA	6-18 VDC	25W	82%	TRC-025S140PS
1750 mA	5-14 VDC	25W	80%	TRC-025S175PS
2080 mA	4-12 VDC	25W	80%	TRC-040S208PS

Blue = Class 2 US/Canada Green = Class 2 US Only

Safety and EMC Compliance

CUL CE	UL 8750 EN 61347-1, EN61347-2-13
EN 55015	Conducted emission
EN 61000-3-2	Harmonic current emissions
EN 61000-3-3	Voltage fluctuations and flicker
EN 61000-4-2	Electrostatic discharge
EN 61000-4-3	RFE Field Susceptibility test
EN 61000-4-4	Electrical Fast Transient
EN 61000-4-6	Conducted Radio Frequency
EN 61000-4-8	Power Frequency Magnetic Field Test
EN 61000-4-11	Voltage Dips
EN 61547	Electromagnetic Immunity

RoHS Compliant

02-10-10